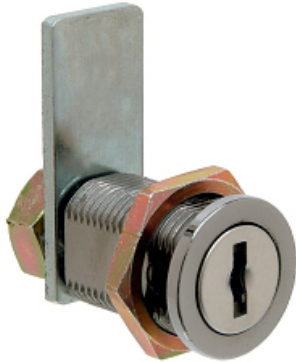


28.35mm Camlock 0869



Product Description

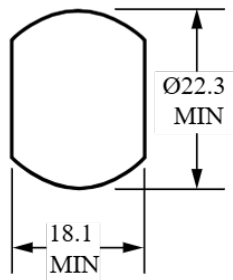
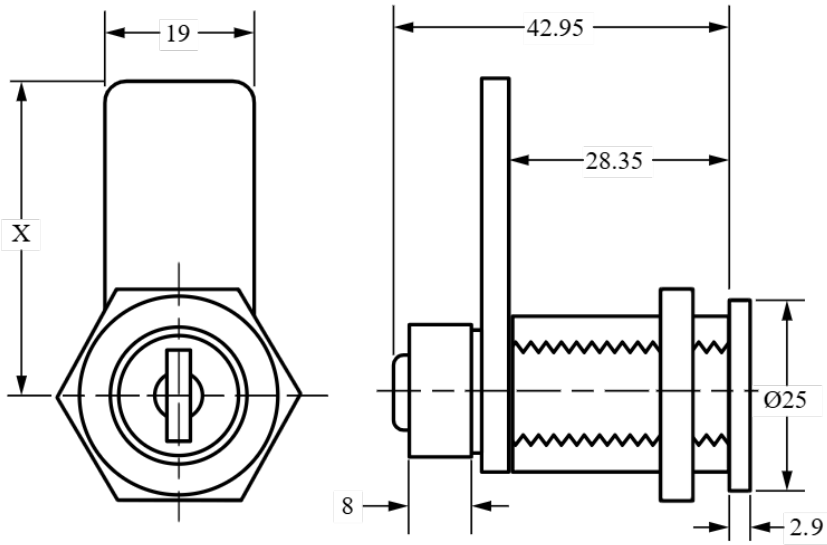
A 28.35mm Camlock 0869 available in Bright Chrome with a Double D fixing hole shape. This camlock is ideal for many industries and applications including Automotive, Asset Management and Enclosures.

- **Standard movements:** 1, 2
- **Lock Combinations:** 2000
- **Standard finish:** Bright chrome
- **Fixing hole shape:** Double D
- M Keyed system supplied to order only
- **Dimension 'X' Specification:** [See Cams](#)

Options

Product Code	Key Series	Combinations	Head Shape	Head Depth	Housing Fixing	Max Panel Thickness	Finish	Cam Fixing	Body Length	Head Width
0869	45 M	2000	Cylindrical	2.9	Nut Fixing	20	Bright Chrome	Nut + Washer	28.35	25

Technical Drawing



FIXING HOLE SIZE