

32.2mm Override Lock C235



Product Description

A 32.2mm Override Lock

- **Lock Combinations:** 2,000
- **Panel thickness:** Standard nut 22mm, special nut B4768 45mm
- **Fixing hole shape:** Double D
- M Keyed system supplied to order only

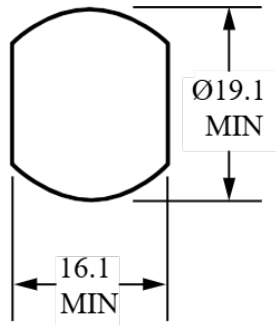
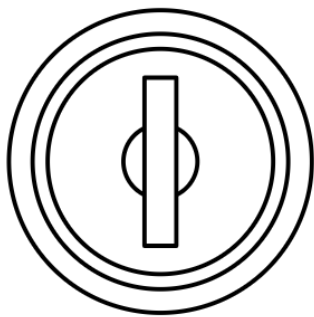
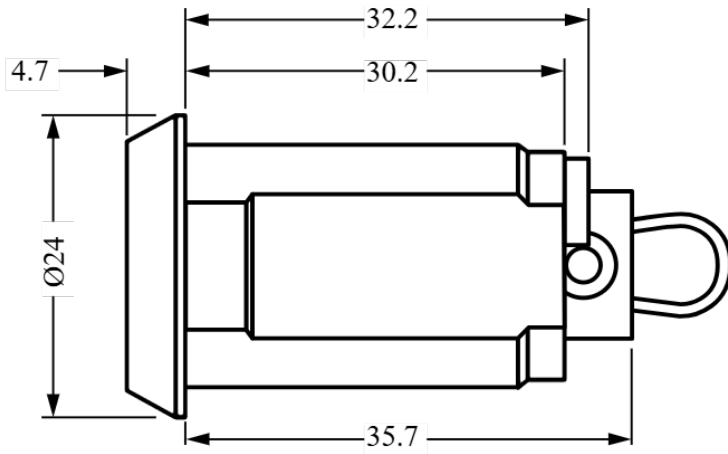
Accessories

- Ø 4mm x 200mm cord
- Flat and toothed washers

Options

Product Code	Key Series	Combinations	Head Shape	Head Depth	Max Panel Thickness	Body Length	Head Width
C235	45 M	2000	Conical	4.7	22 (standard Nut) & 44 (special nut)	32.3	24

Technical Drawing



FIXING HOLE SIZE